

SCHEMA ELETRICO ECO 1000-ECCO 1000 DP

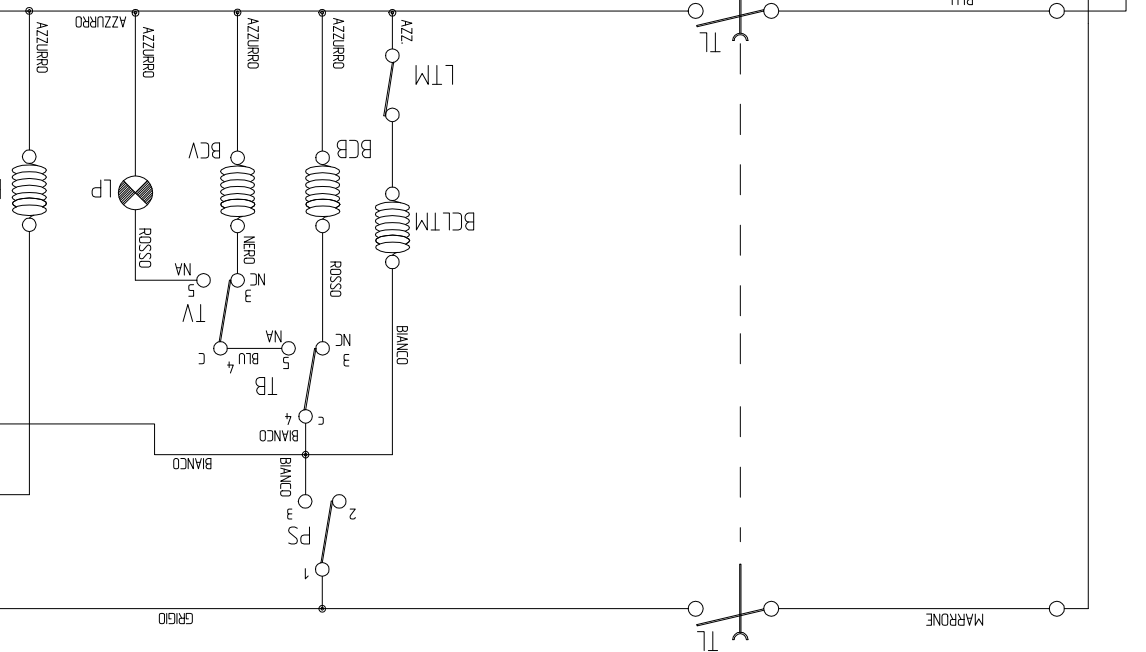
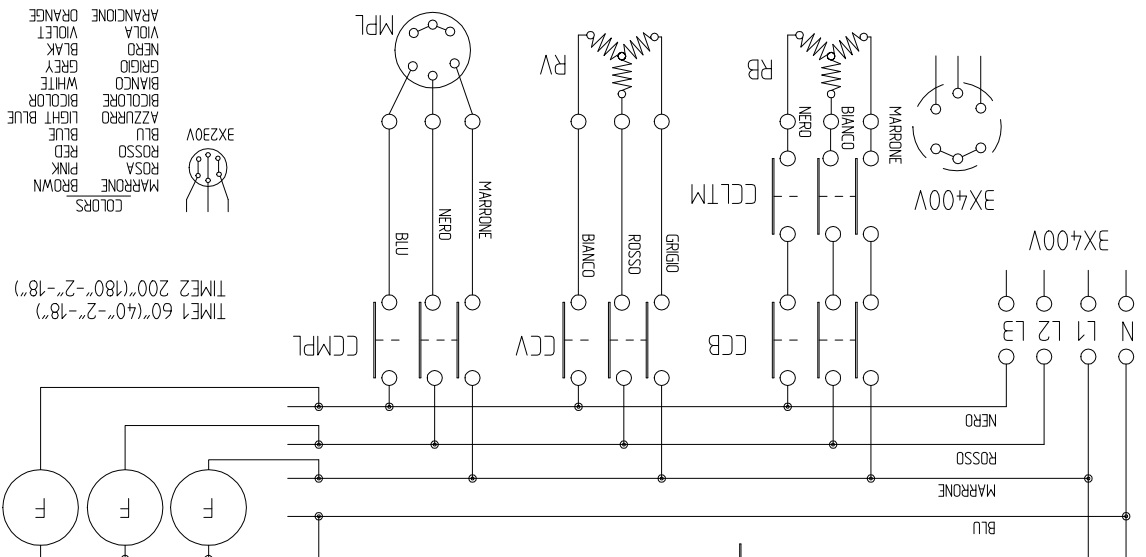
TERMOSTOP NON COLLEGATO

THE THERMOSTOP IS DISCONNECTED

Lo schema rappresenta la macchina nella sua versione piú complessa sui modelli derivati piú semplici mancheranno alcuni componenti con le relative connessioni.

OPTIONS EQUIPPED

THE ELECTRICAL DIAGRAM IS REPRESENTED BY FULLY

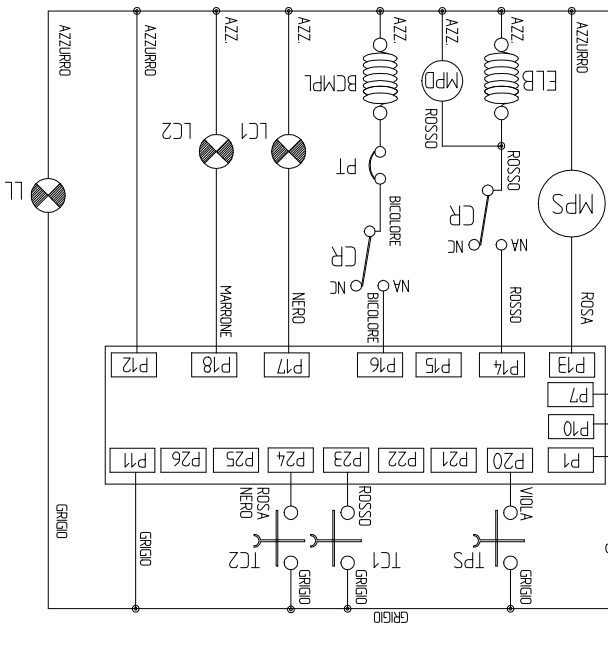


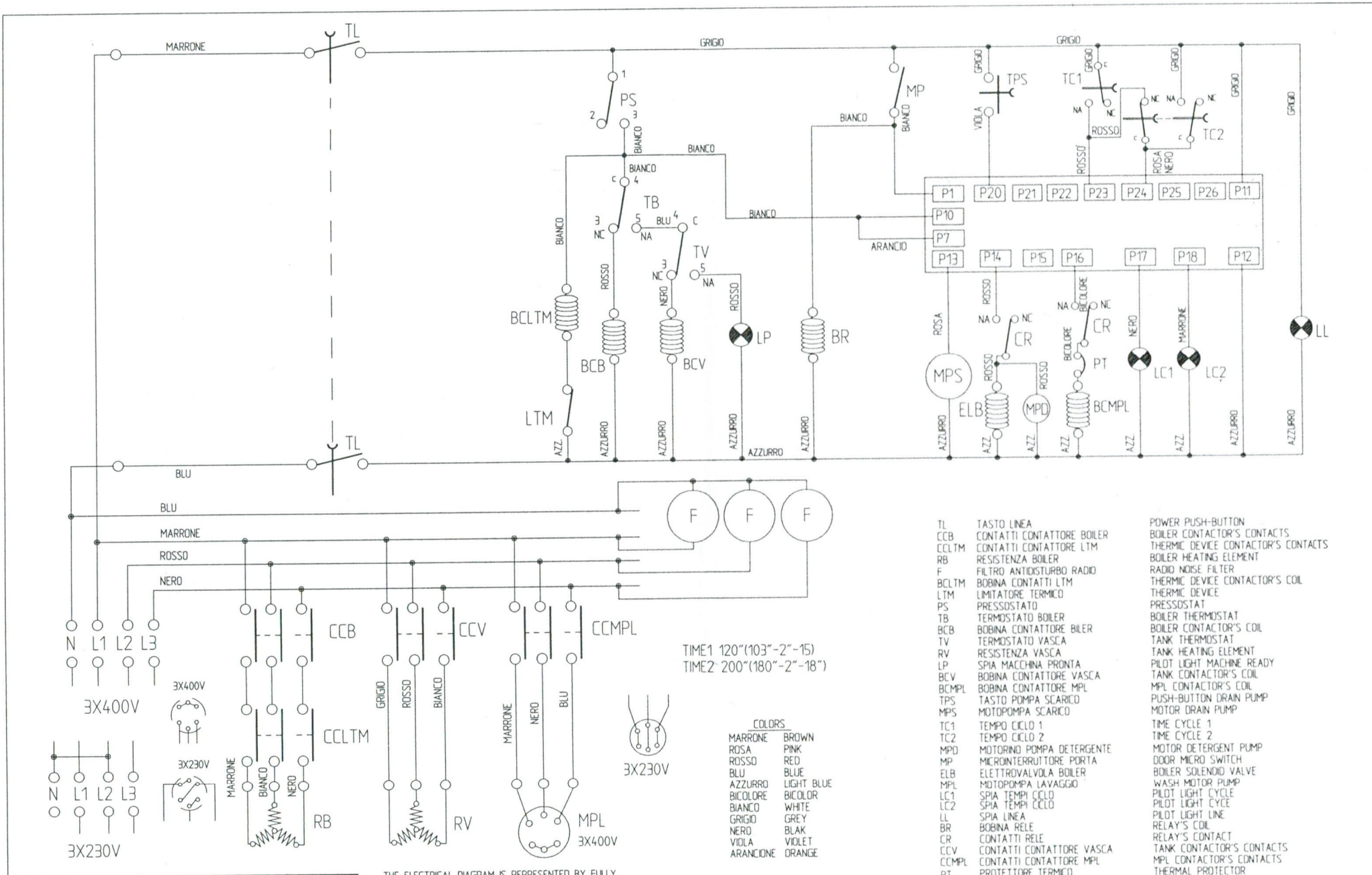
- COLORS
- MARRONE BROWN
 - ROSSA PINK
 - ROSSO RED
 - BLU BLUE
 - AZZURRO LIGHT BLUE
 - BICOLORE BICOLORE
 - BIANCO WHITE
 - GRIGIO GREY
 - NERO BLACK
 - VIOIA VIOLET
 - ARANCIONE ORANGE

TIME1 60"(40"-2"-18")

TIME2 200"(180"-2"-18")

- TL TASTO LINEA
- CCB CONTACTI CONTACTORE BOLLER
- CCLTM CONTACTI CONTACTORE LTM
- RB RESISTENZA BOLLER
- F FILTRO ANTIDISTURBO RADIO
- F BOLLER CONTACTI LTM
- BCLTM BOBINA CONTACTI LTM
- LTM LIMITATORE TERMICO
- PS PRESSOSTATO
- TB TERMOSTATO BOLLER
- BCLTM BOBINA CONTACTORE BOLLER
- TV TERMOSTATO VASCA
- BCB BOBINA CONTACTORE BOLLER
- BCV BOBINA CONTACTORE VASCA
- BCMPL BOBINA CONTACTORE MPL
- TPS TASTO PUMPA SCARICO
- MPS MOTORPUMPA SCARICO
- TC1 TEMPO CICLO 1
- TC2 TEMPO CICLO 2
- MPD MOTORINO PUMPA DETERGENTE
- MP MICROINTERRUTTORE PORTA
- ELB ELETTRIVALVOLA BOLLER
- MPL MOTORPUMPA LAVAGGIO
- LC1 SPA TEMPI CICLO
- LC2 SPA TEMPI CICLO
- LL SPA LINEA
- BR BOBINA RELE
- CR CONTACTI RELÉ
- CCMPL CONTACTI CONTACTORE VASCA
- CCV CONTACTI CONTACTORE MPL
- RELAY'S CONTACT RELAY'S CONTACT
- RELAY'S COIL RELAY'S COIL
- PILOT LIGHT LINE PILOT LIGHT LINE
- PILOT LIGHT CYCLE PILOT LIGHT CYCLE
- WASH MOTOR PUMP WASH MOTOR PUMP
- BOILER SOLENOID VALVE BOILER SOLENOID VALVE
- DOOR MICRO SWITCH DOOR MICRO SWITCH
- MOTOR DETERGENT PUMP MOTOR DETERGENT PUMP
- TIME CYCLE 2 TIME CYCLE 2
- MOTOR DRAIN PUMP MOTOR DRAIN PUMP
- PUSH-BUTTON DRAIN PUMP PUSH-BUTTON DRAIN PUMP
- MPL CONTACTOR'S COIL MPL CONTACTOR'S COIL
- TANK CONTACTOR'S COIL TANK CONTACTOR'S COIL
- PILOT LIGHT MACHINE READY TANK HEATING ELEMENT
- TANK HEATING ELEMENT TANK HEATING ELEMENT
- TANK THERMOSTAT TANK THERMOSTAT
- BOILER CONTACTOR'S COIL BOILER CONTACTOR'S COIL
- BOILER THERMOSTAT BOILER THERMOSTAT
- PRESSOSTAT PRESSOSTAT
- THERMIC DEVICE THERMIC DEVICE
- THERMIC DEVICE CONTACTOR'S COIL THERMIC DEVICE CONTACTOR'S COIL
- RADIO NOISE FILTER RADIO NOISE FILTER
- BOILER HEATING ELEMENT BOILER HEATING ELEMENT
- CONTACTOR'S CONTACTS CONTACTOR'S CONTACTS
- BOILER CONTACTOR'S CONTACTS BOILER CONTACTOR'S CONTACTS
- POWER PUSH-BUTTON POWER PUSH-BUTTON





- | | | |
|-------|----------------------------|-------------------------------------|
| TL | TASTO LINEA | POWER PUSH-BUTTON |
| CCB | CONTATTI CONTATTORE BOILER | BOILER CONTACTOR'S CONTACTS |
| CCLTM | CONTATTI CONTATTORE LTM | THERMIC DEVICE CONTACTOR'S CONTACTS |
| BCLTM | BOBINA CONTATTORE LTM | BOILER HEATING ELEMENT |
| LTM | LIMITATORE TERMICO | RADIO NOISE FILTER |
| PS | PRESSOSTATO | THERMIC DEVICE CONTACTOR'S COIL |
| TB | TERMOSTATO BOILER | THERMIC DEVICE |
| BCB | BOBINA CONTATTORE BILER | PRESSOSTAT |
| TV | TERMOSTATO VASCA | BOILER THERMOSTAT |
| RV | RESISTENZA VASCA | BOILER CONTACTOR'S COIL |
| LP | SPIA MACCHINA PRONTA | TANK THERMOSTAT |
| BCV | BOBINA CONTATTORE VASCA | TANK HEATING ELEMENT |
| BCMPL | BOBINA CONTATTORE MPL | TANK CONTACTOR'S COIL |
| TPS | TASTO POMPA SCARICO | MPL CONTACTOR'S COIL |
| MPS | MOTOPOMPA SCARICO | PUSH-BUTTON DRAIN PUMP |
| TC1 | TEMPO CICLO 1 | MOTOR DRAIN PUMP |
| TC2 | TEMPO CICLO 2 | TIME CYCLE 1 |
| MPD | MOTORINO POMPA DETERGENTE | TIME CYCLE 2 |
| MP | MICROINTERRUTTORE PORTA | MOTOR DETERGENT PUMP |
| ELB | ELETTROVALVOLA BOILER | DOOR MICRO SWITCH |
| MPL | MOTOPOMPA LAVAGGIO | BOILER SOLENOID VALVE |
| LC1 | SPIA TEMPI CICLO | WASH MOTOR PUMP |
| LC2 | SPIA TEMPI CICLO | PILOT LIGHT CYCLE |
| LL | SPIA LINEA | PILOT LIGHT CYCLE |
| BR | BOBINA RELE | PILOT LIGHT LINE |
| CR | CONTATTI RELE | RELAY'S COIL |
| CCV | CONTATTI CONTATTORE VASCA | RELAY'S CONTACT |
| CCMPL | CONTATTI CONTATTORE MPL | TANK CONTACTOR'S CONTACTS |
| PT | PROTETTORE TERMICO | MPL CONTACTOR'S CONTACTS |
| | | THERMAL PROTECTOR |

TIME1 120"(103"-2"-15)
TIME2 200"(180"-2"-18")

- COLORS
- | | |
|-----------|------------|
| MARRONE | BROWN |
| ROSA | PINK |
| ROSSO | RED |
| BLU | BLUE |
| AZZURRO | LIGHT BLUE |
| BICOLORE | BICOLOR |
| BIANCO | WHITE |
| GRIGIO | GREY |
| NERO | BLACK |
| VIOLA | VIOLET |
| ARANCIONE | ORANGE |

THE ELECTRICAL DIAGRAM IS REPRESENTED BY FULLY OPTIONALS EQUIPPED.

Lo schema rappresenta la macchina nella sua versione più complessa sui modelli derivati più semplici mancheranno alcuni componenti con le relative connessioni.

THERMOSTOP NON COLLEGATO THERMOSTOP DISCONNECTED
SCHEMA ELETTRICO NL 1000 NL 1000 DP