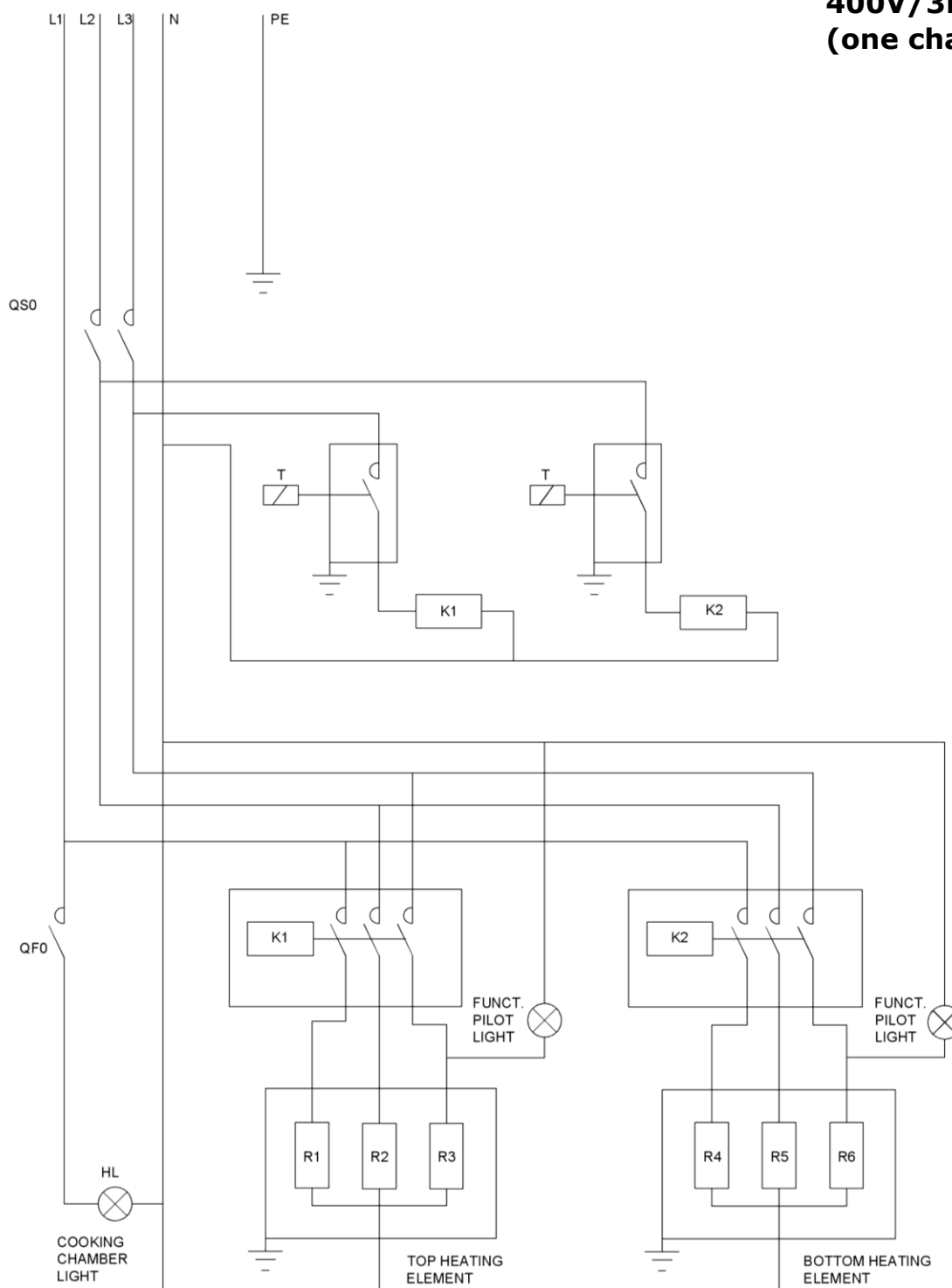


# WIRING DIAGRAMS

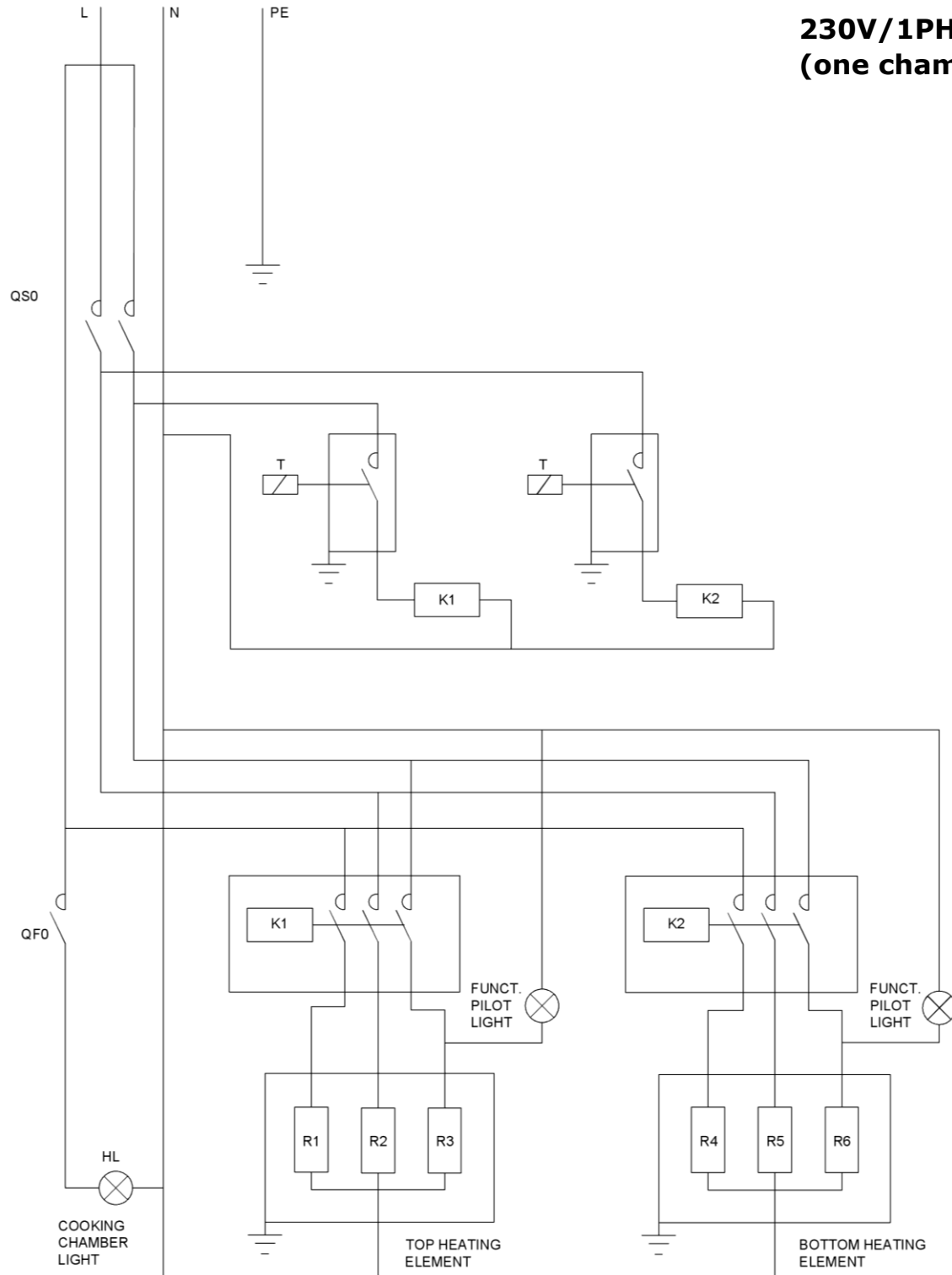
**400V/3PH  
(one chamber)**



## Legend of oven wiring diagrams

- T unipolar thermostat;
- K contactor;
- QS0 heating element power switch;
- HL inside lamp pilot light;
- QF0 switch for the inside lamp

**230V/1PH  
(one chamber)**



**Legend of oven wiring diagrams**

- T unipolar thermostat;
- K contactor;
- QS0 heating element power switch;
- HL inside lamp pilot light;
- QF0 switch for the inside lamp