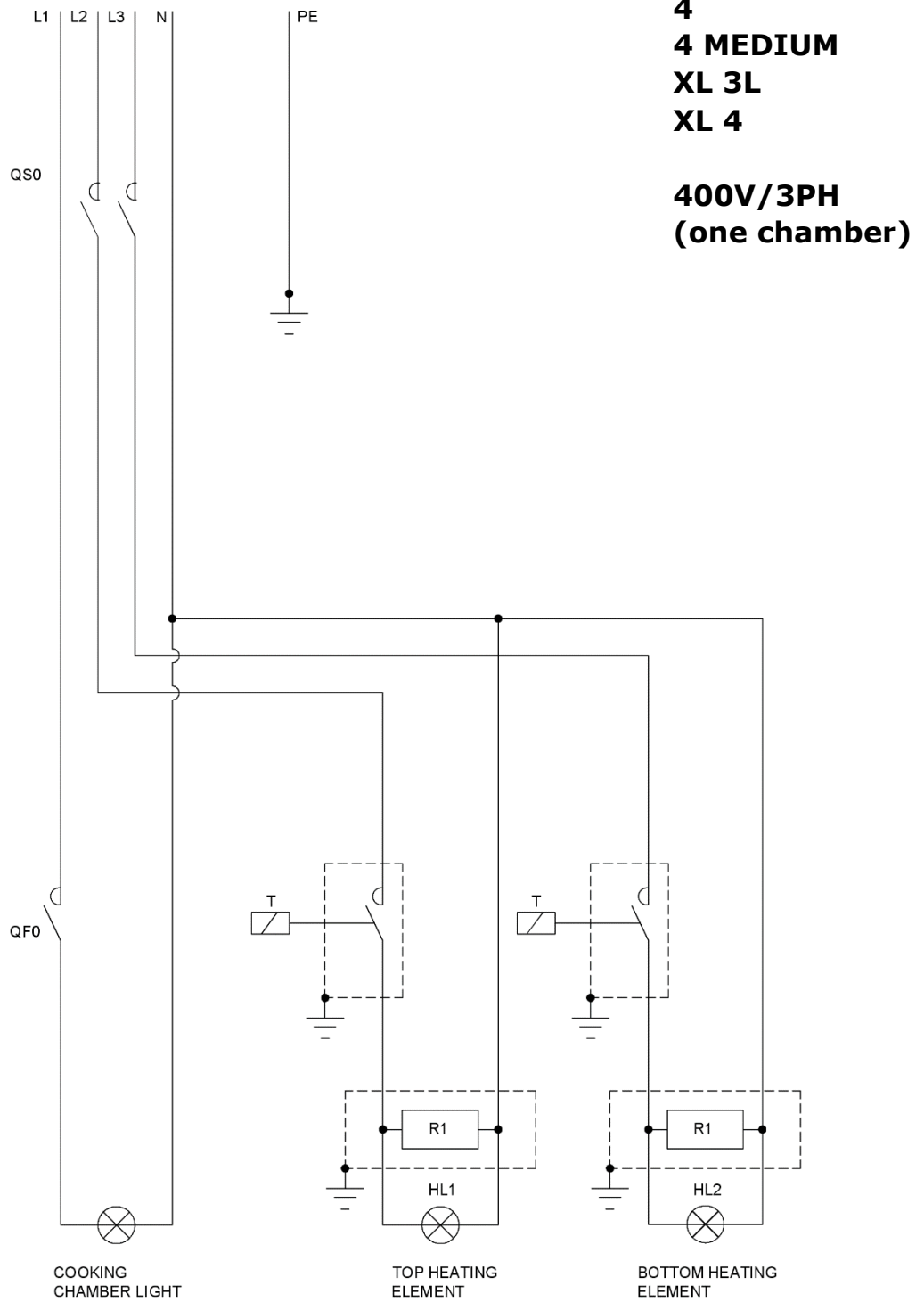
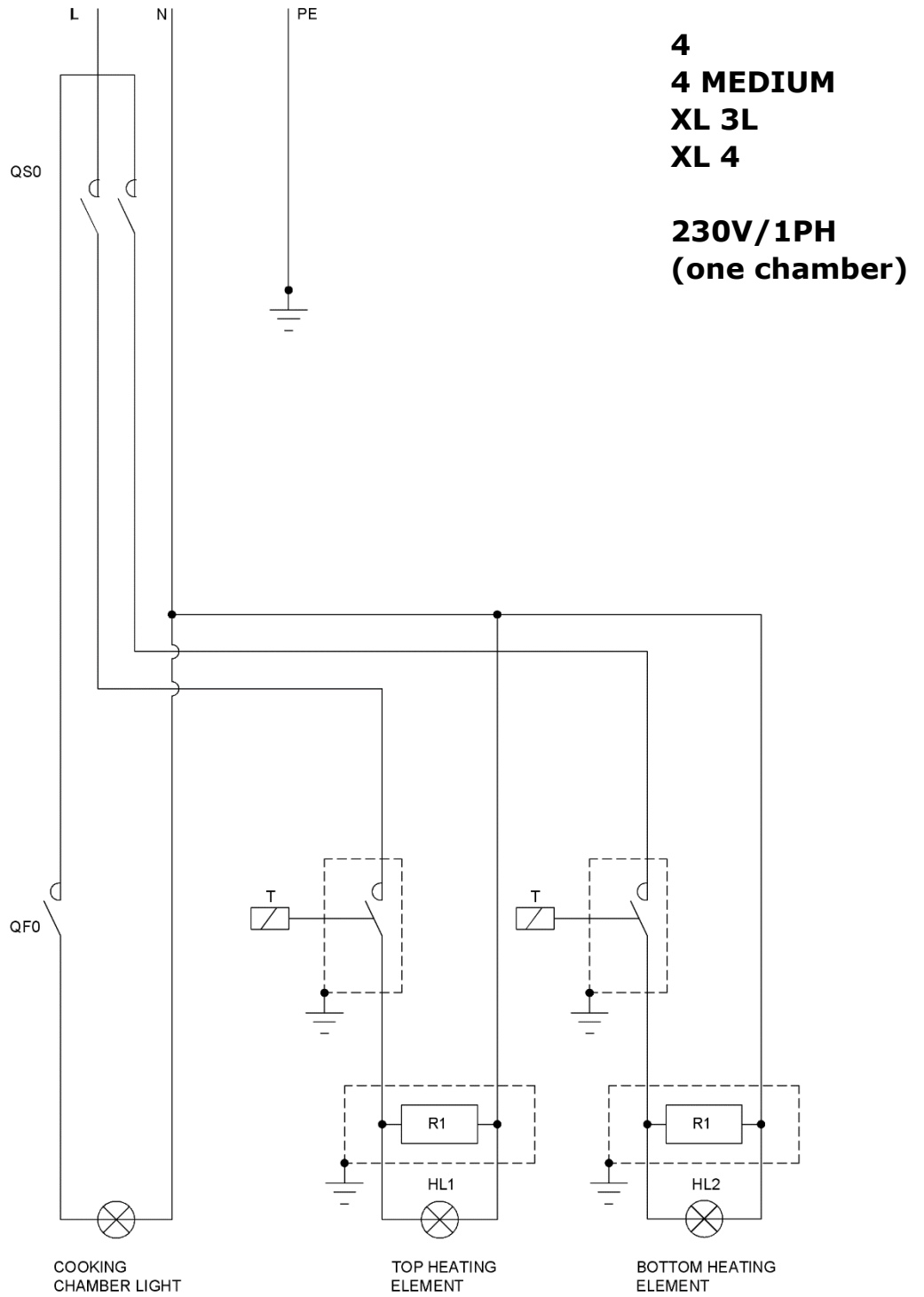


WIRING DIAGRAMS



Legend of oven wiring diagrams

T	unipolar thermostat;
QS0	heating element power switch;
HL	heating elements spy light;
QF0	chamber light on/off switch;

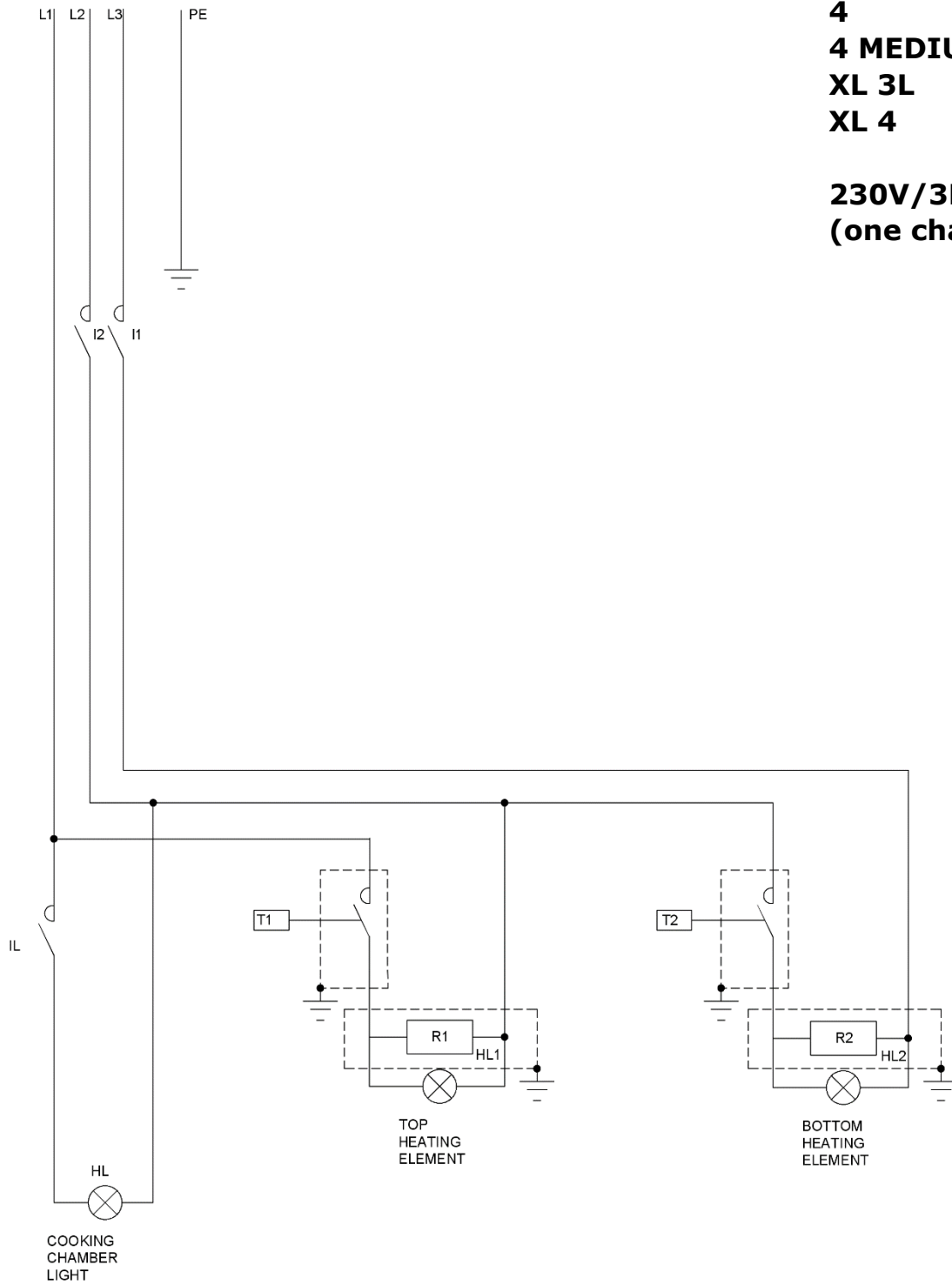


Legend of oven wiring diagrams

- T unipolar thermostat;
- QS0 heating element power switch;
- HL heating elements spy light;
- QF0 chamber light on/off switch;

4
4 MEDIUM
XL 3L
XL 4

230V/3PH
(one chamber)

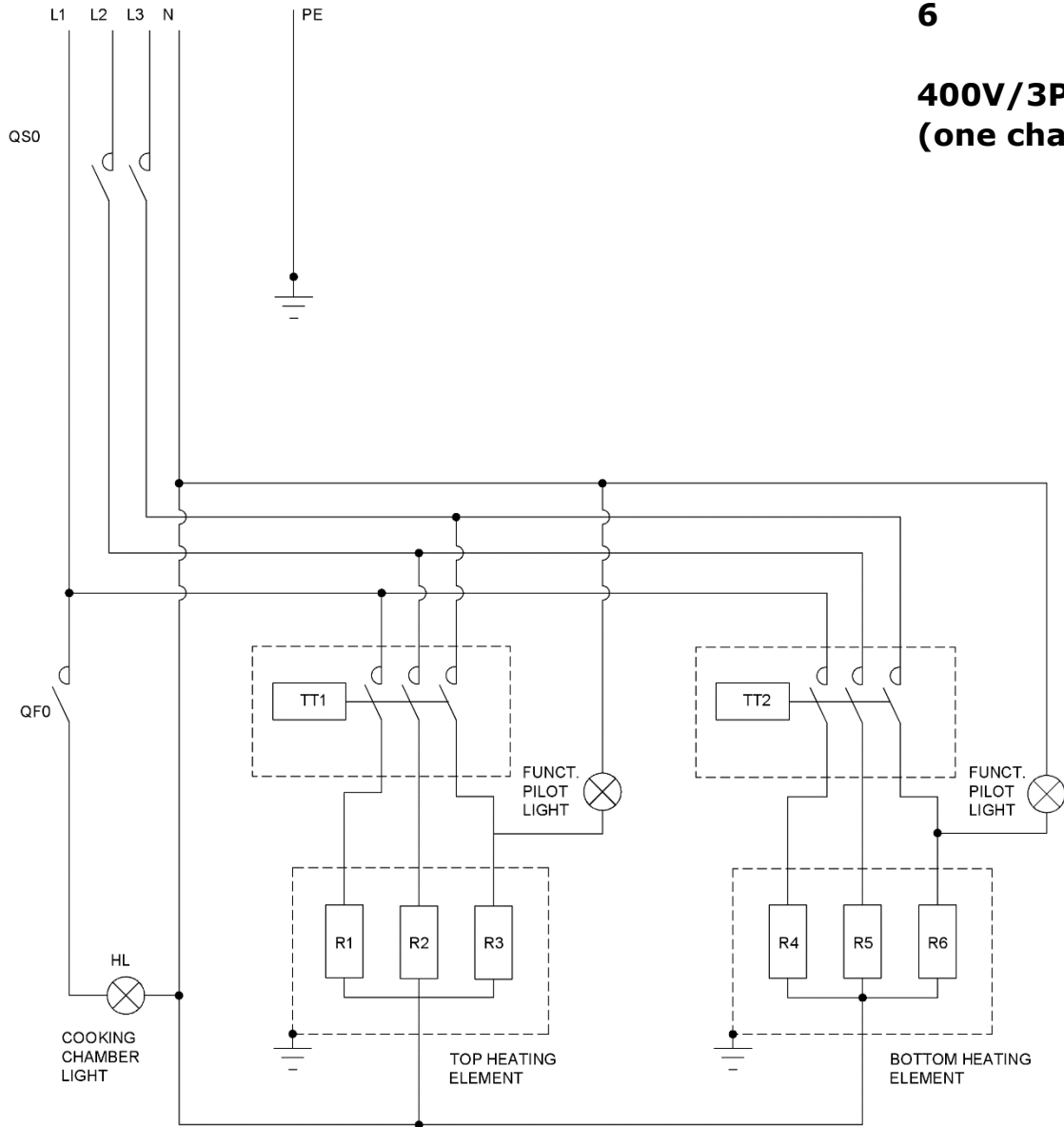


Legend of oven wiring diagrams

- T unipolar thermostat;
- I heating element power switch;
- HL inside lamp pilot light;
- IL switch for the inside lamp

6

**400V/3PH
(one chamber)**

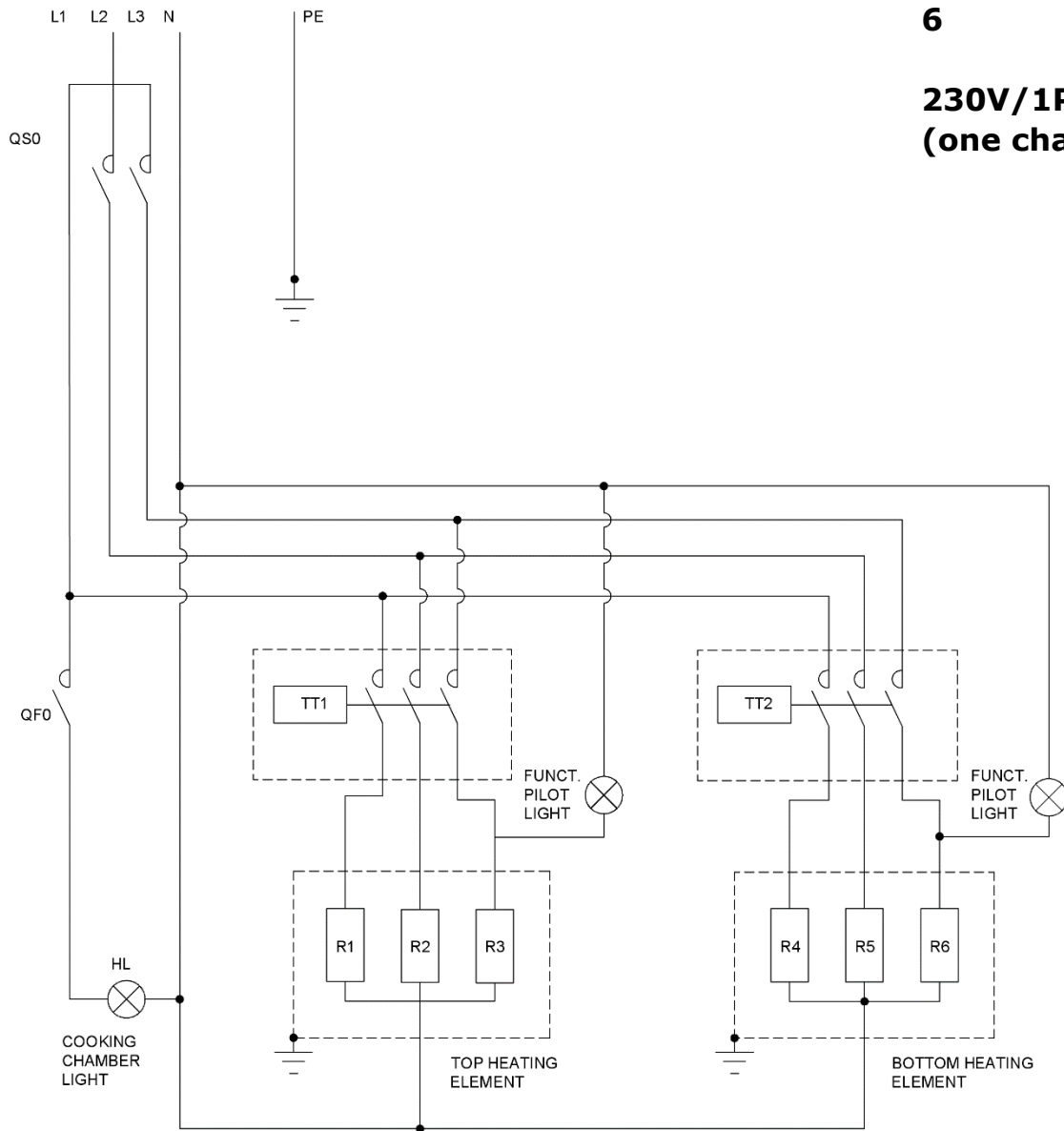


Legend of oven wiring diagrams

- TT tripolar thermostat;
- QS0 heating element power switch;
- HL inside lamp pilot light;
- QF0 switch for the inside lamp

6

**230V/1PH
(one chamber)**

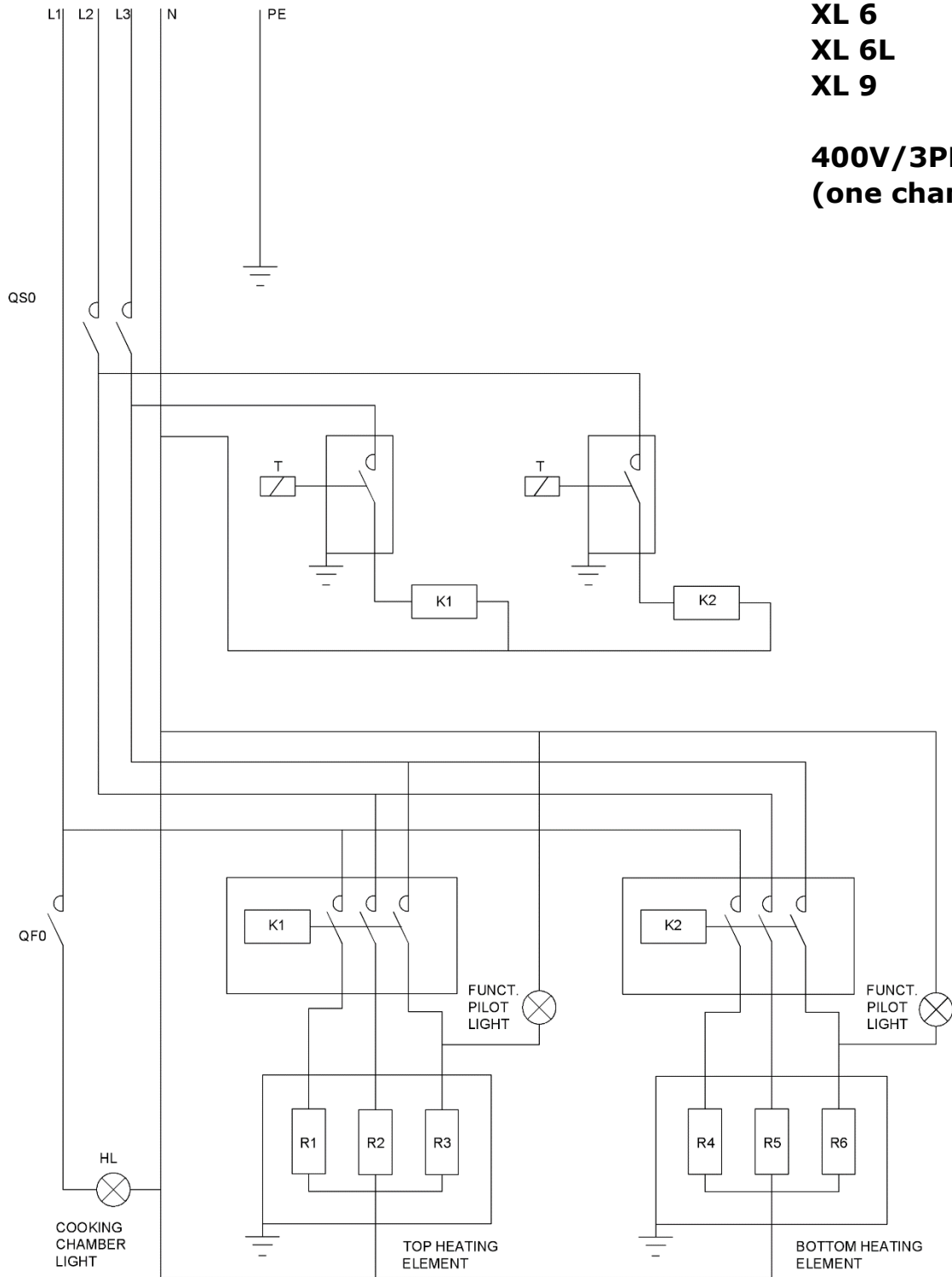


Legend of oven wiring diagrams

- TT tripolar thermostat;
- QS0 heating element power switch;
- HL inside lamp pilot light;
- QF0 switch for the inside lamp

**XL 6
XL 6L
XL 9**

**400V/3PH
(one chamber)**

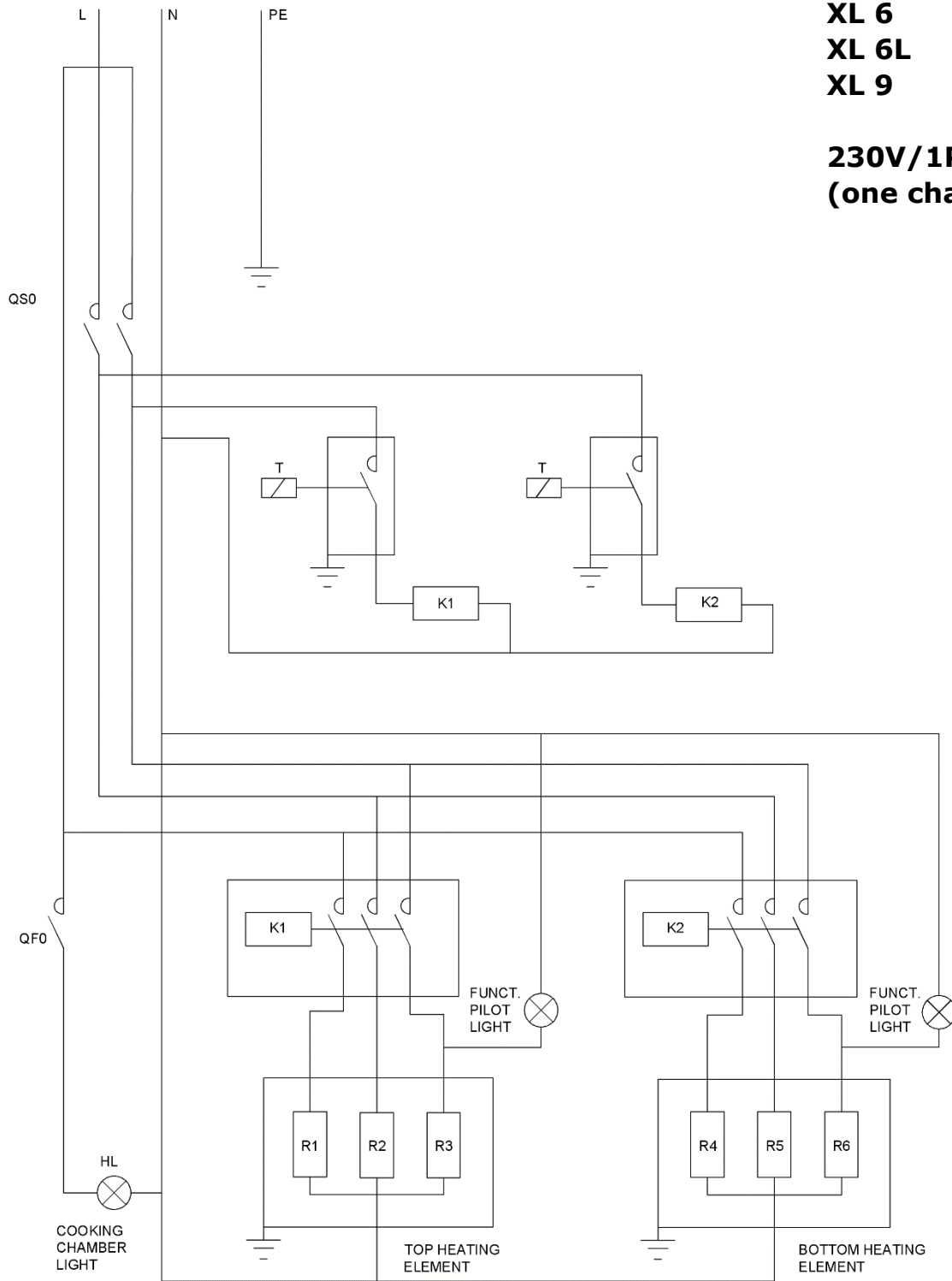


Legend of oven wiring diagrams

- T unipolar thermostat;
- K contactor;
- QS0 heating element power switch;
- HL inside lamp pilot light;
- QF0 switch for the inside lamp

**XL 6
XL 6L
XL 9**

**230V/1PH
(one chamber)**

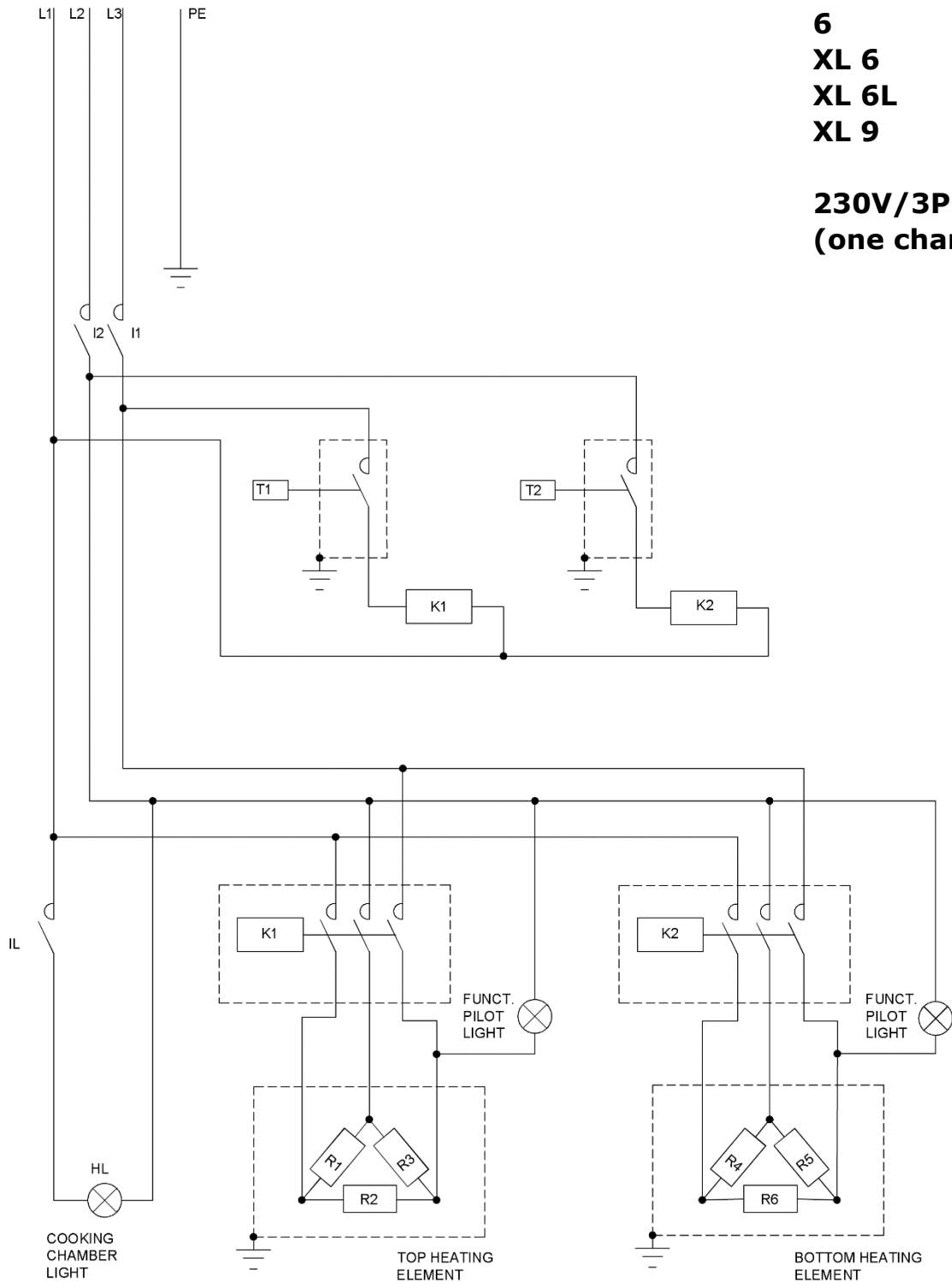


Legend of oven wiring diagrams

- T unipolar thermostat;
- K contactor;
- QS0 heating element power switch;
- HL inside lamp pilot light;
- QF0 switch for the inside lamp

6
XL 6
XL 6L
XL 9

230V/3PH
(one chamber)



Legend of oven wiring diagrams	
T	unipolar thermostat;
K	contactor;
I	heating element power switch;
HL	inside lamp pilot light;
IL	switch for the inside lamp